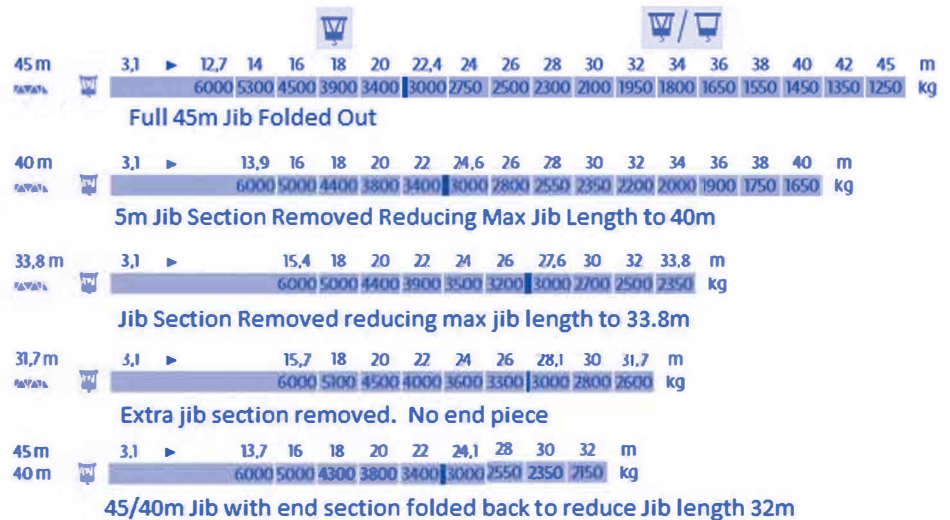


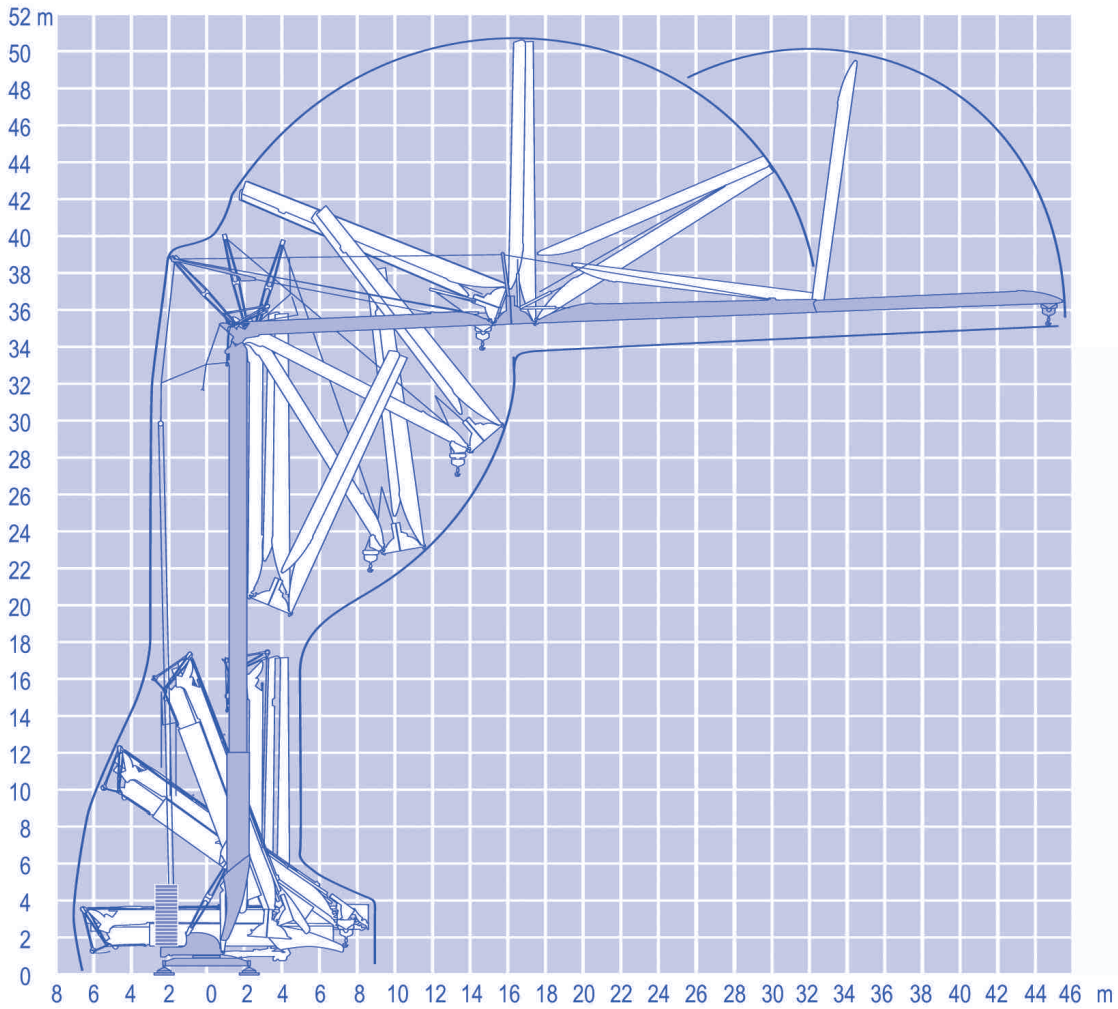
Load Curves

4 fall rope operation

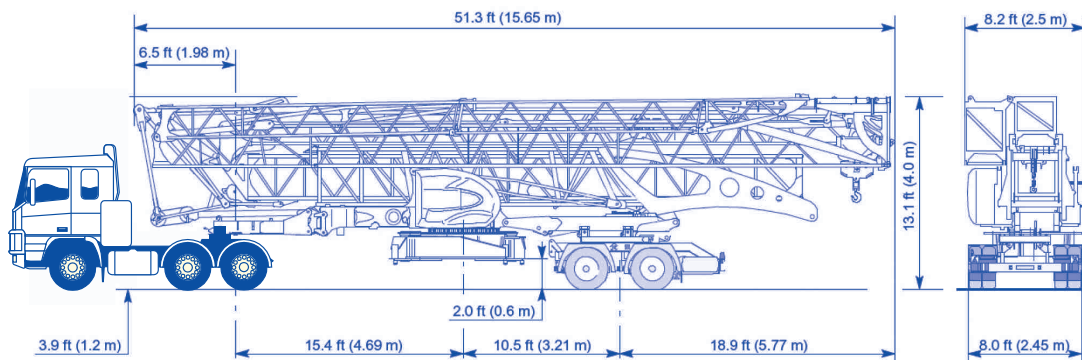
4 fall or 2 fall rope operation



Erection Schematic



Mode of Transport



Weights

Dead Weight without Transport Axles	21,050 Kg
--	------------------

BALLAST WEIGHTS	
16 No. @ 2,200 Kg	35,200kg
Total	35,200kg

The technical information contained in this document is useful as a basic introduction to the crane. In no case may this document serve as a substitute for the various manuals bearing the machine number of the crane.