



## Load Curves

35m	12.05	14	16	18	20.4	22	24	26	28	30	32	34	35	m	
	4000	3240	2700	2300	2000	1815	1620	1465	1330	1220	1120	1035	1000	Kg	
Full 35m jib folded out															
32m	12.85	14	16	18	20	21.95	24	26	28	30	32	m			
	4000	3550	2960	2530	2200	2000	1785	1610	1465	1345	1240	Kg			
3m jib section removed reducing maximum jib length to 32m															
28.7m	13.5	14	16	18	20	22	23.21	24	26	28.7	m				
	4000	3815	3185	2720	2370	2090	2000	1910	1750	1530	Kg				
6m jib section removed reducing jib length to 28.7m															
15.7m	<b>4000Kg - Max.</b>														
19.3m jib section hydraulically folded back to reduce jib length to 15.7m															
4 fall rope operation						4 fall or 2 fall rope operation									



## Speed of Mechanisms

HOISTING		m/min.	6	24	48	3	12	24
		kg	2000	2000	1300	4000	4000	2600
		CV-PS hp	3	12	14	3	12	24
		kW	2,2	8,8	10,3	2,2	8,8	10,3
		m/min.	CV-PS hp			kW		
TROLLEYING		20/40	1,5/3			1,1/2,2		
SLEWING		0,2-1,1 tr/min - u/min rpm - g/min	3,5 kgm			4,5		
<b>Power Requirements</b>								
MAINS ELECTRICITY	400V (+6%-10%) @ 50Hz	GENERATOR			Frequency Controlled 30KVA However we recommend using 40KVA Contactor Controlled 60KVA			
KVA	23KVA							



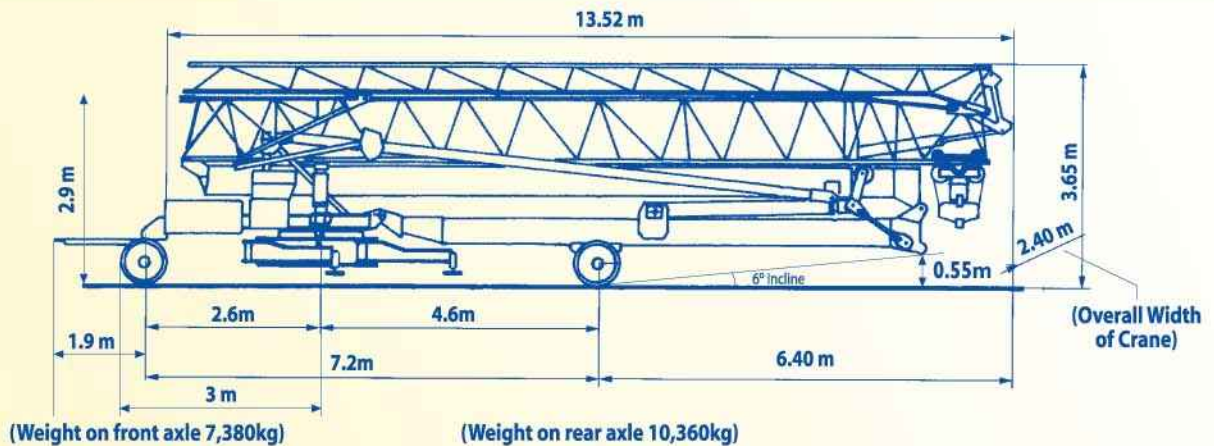
## Weights

Dead Weight without Transport Axles & Permanent Ballast	14,200 Kg	<b>BALLAST WEIGHTS</b>	
Dead Weight with Transport Axles & 4,000kg Permanent Ballast	19,000 Kg	12 No. @ 1,770 Kg	21,240kg
		1 No. @ 4,000 Kg - Permanent	4,000kg
		<b>Total</b>	<b>25,240 Kg</b>

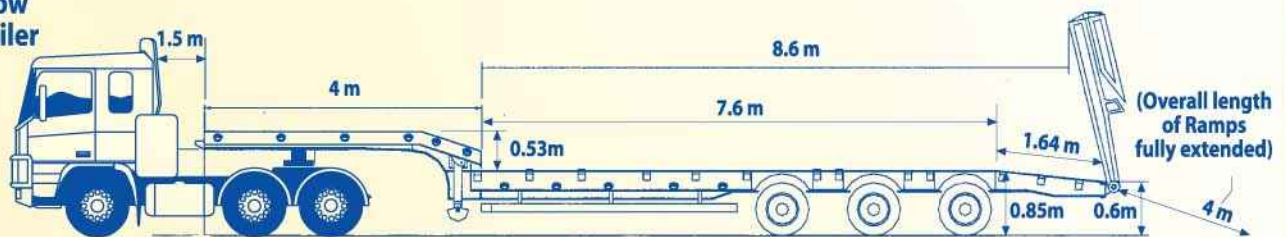


# Mode of Transport

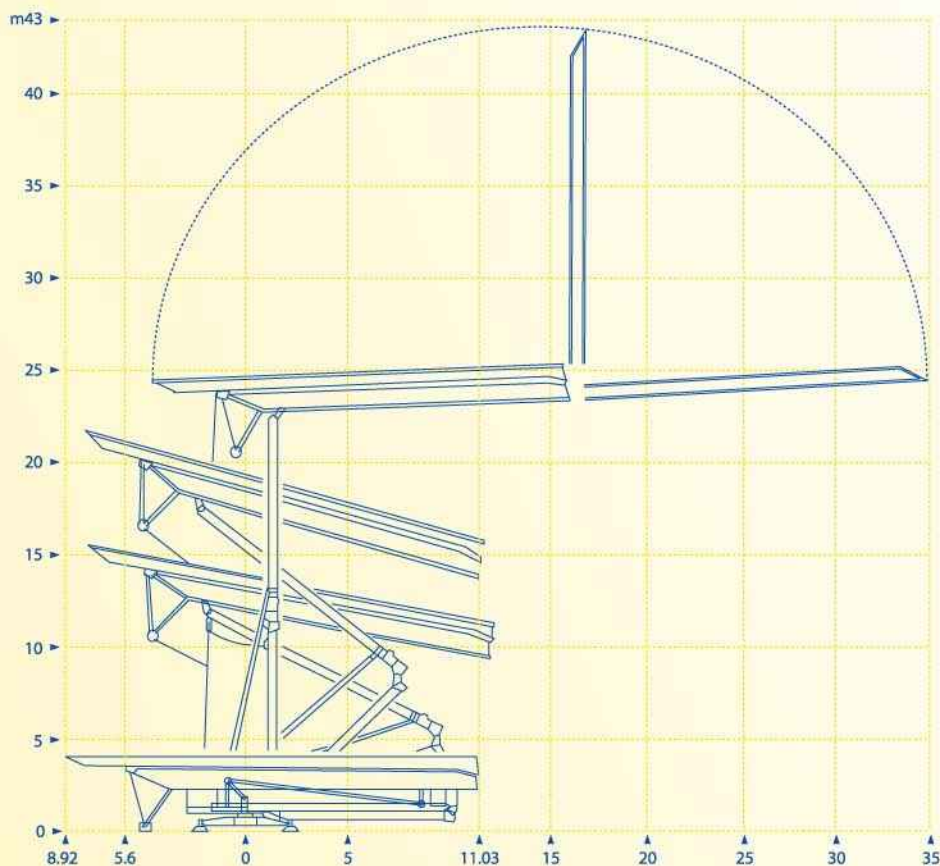
## Site Axles



## Suitable Low Loader Trailer



# Erection Schematic





Model shown in picture may not be this actual model

## On-site materials handling for the 21st Century



### Head Office

Killygordon  
Co. Donegal  
Ireland  
Tel: +353 (0)74 9149981  
Fax: +353 (0)74 9149932  
Email: [info@mantiscranes.ie](mailto:info@mantiscranes.ie)  
Web: [www.mantiscranes.ie](http://www.mantiscranes.ie)

### UK Office

Unit 11  
Brockwell Court  
Low Willington Industrial Estate  
Crook  
Co. Durham DL15 0UT  
Lo Call: 0845 3098158  
Tel: +44 (0)138 8748962  
Fax: +44 (0)138 8748968  
Email: [info@mantiscranes.co.uk](mailto:info@mantiscranes.co.uk)  
Web: [www.mantiscranes.co.uk](http://www.mantiscranes.co.uk)

This commercial document is not legally binding. Changes may be made to the content without any notification.

**'The Evolution in Crane Technology'**