







Load Curves

45 m																
	3,5 ▶	13,3	15	17	20	22	23,7	25	27	30	32	35	37	40	42	45 m
	6000	5135	4390	3590	3185	3000	2710	2460	2150	1980	1760	1635	1470	1375	1250	kg


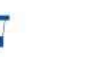
Full 45m jib folded out

40 m															
	3,5 ▶	14,3	15	17	20	22	25	25,8	27	30	32	35	37	40 m	
	6000	5660	4845	3965	3525	3010	3000	2735	2395	2205	1965	1830	1650	kg	

5m jib section removed reducing maximum jib length to 40m

31 m															
	3,5 ▶	14,1	15	17	20	22	25	25,3	27	30	31 m				
	6000	5555	4755	3890	3460	2950	3000	2630	2350	2250	kg				

14m jib section hydraulically folded back to reduce jib length to 31m



31 m															
	3,5 ▶	16,4	17	20	22	25	27	29,7	30	31 m					
	6000	5725	4695	4185	3580	3260	3000	2865	2750	kg					

14m jib section removed reducing maximum jib length to 31m

 2 fall rope operation  4 fall or 2 fall rope operation only



Speed of Mechanisms

												ch - PS hp	kW		
▲ ▼	20 LVF 15	m/min	4	26	42	52	68	2	13	21	26	34	20	15	
		kg	3000	3000	1800	1400	700	6000	6000	3600	2800	1400			
◀ ▶	20 PC 15	m/min	7		28		56		3,5		14		28		
		kg	3000		3000		1500		6000		6000		3000		
◀ ▶	5 DVF 5	m/min	9 - 22 - 58 (3600 kg)					9 - 22 - 44 (6000 kg)					6,5	4,8	
⊙	RVF2-61	tr/min U/min rpm	0 → 0,8											8	5,9
◀ ▶	TVDS 124	m/min	25											2 x 4	2 x 3

Subject to modification

Power Requirements

Mains Electricity	kVA	Generator
400V (+6%-10%)50Hz	35 kVA	45 kVA



Weights

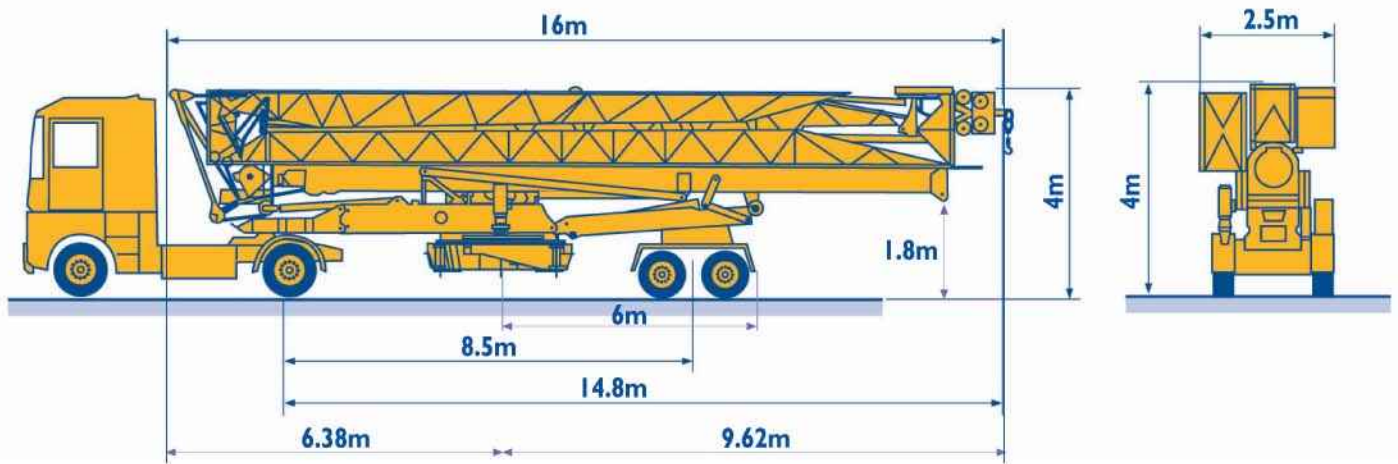
Dead Weight without Transport Axles	23,400 Kg	BALLAST WEIGHTS	
Dead Weight with Transport Axles	26,300 Kg	13 No. @ 2,850 Kg	37,050kg
		Total	37,050kg



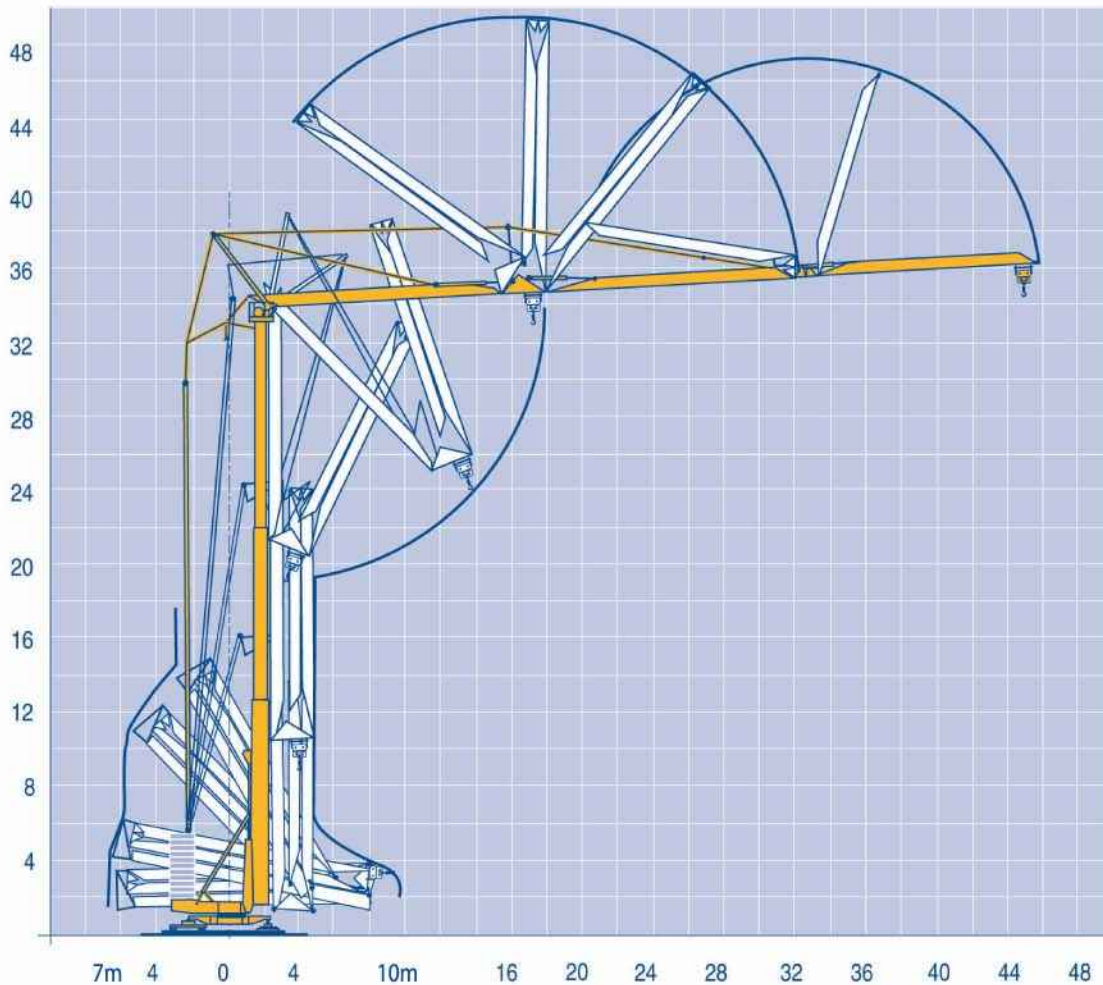
Mode of Transport

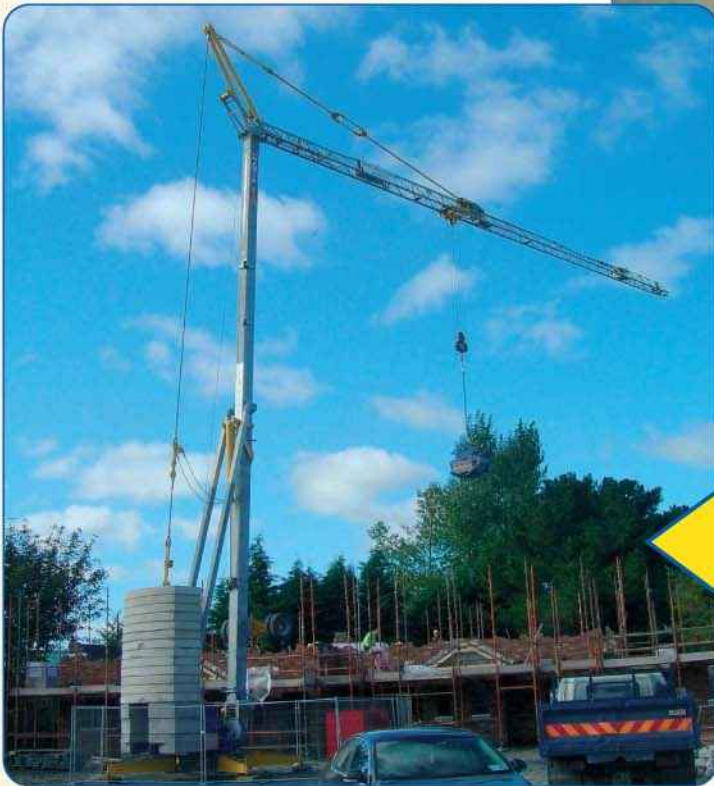
↓ Weight on fifth wheel
8,100kg

↓ Weight on rear axles
18,300kg



Erection Schematic





Model shown in picture may not be this actual model

On-site materials handling for the 21st Century



Head Office

Killygordon
Co. Donegal
Ireland
Tel: +353 (0)74 9149981
Fax: +353 (0)74 9149932
Email: info@mantiscranes.ie
Web: www.mantiscranes.ie

UK Office

Unit 11
Brockwell Court
Low Willington Industrial Estate
Crook
Co. Durham DL15 0UT
Lo Call: 0845 3098158
Tel: +44 (0)138 8748962
Fax: +44 (0)138 8748968
Email: info@mantiscranes.co.uk
Web: www.mantiscranes.co.uk

This commercial document is not legally binding. Changes may be made to the content without any notification.

'The Evolution in Crane Technology'